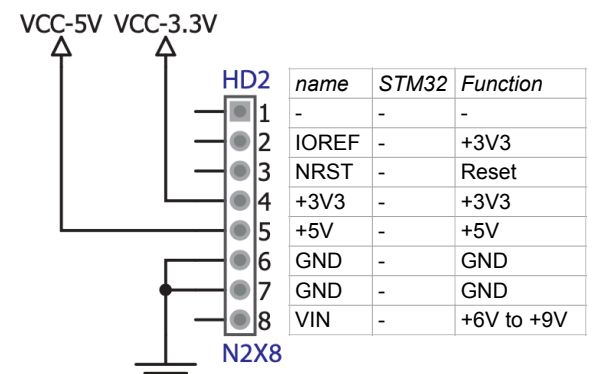
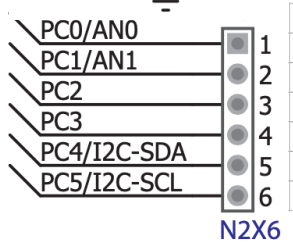


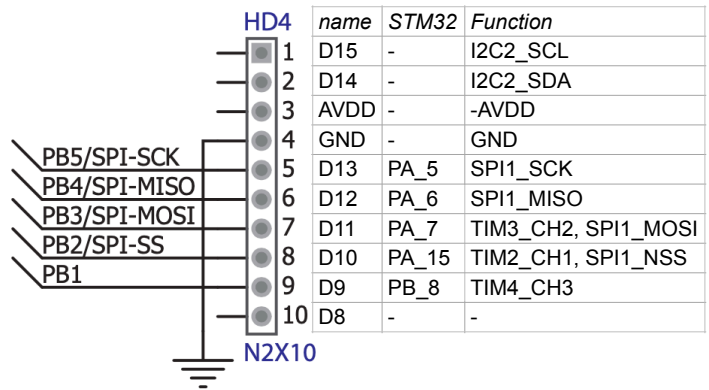
Interface STM32F412ZG Discovery - ARDUINO® Uno V3 - Click Connectors



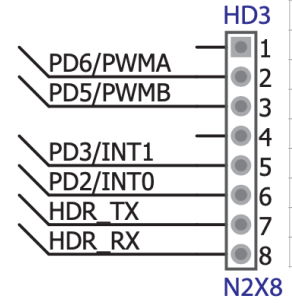
name	STM32	Function
-	-	-
IOREF	-	+3V3
NRST	-	Reset
+3V3	-	+3V3
+5V	-	+5V
GND	-	GND
GND	-	GND
VIN	-	+6V to +9V



name	STM32	Function
A0	PA_1	ADC1_IN1
A1	PC_1	ADC1_IN11
A2	PC_3	ADC1_IN13
A3	PC_4	ADC1_IN14
A4	PB_9_ALT0	ADC1_IN15 or I2C2_SDA
A5	PB_10	ADC1_IN8 or I2C2_SCL



name	STM32	Function
D15	-	I2C2_SCL
D14	-	I2C2_SDA
AVDD	-	-AVDD
GND	-	GND
D13	PA_5	SPI1_SCK
D12	PA_6	SPI1_MISO
D11	PA_7	TIM3_CH2, SPI1_MOSI
D10	PA_15	TIM2_CH1, SPI1_NSS
D9	PB_8	TIM4_CH3
D8	-	-



name	STM32	Function
D7	-	-
D6	PF_3	TIM5_CH1
D5	PF_10	TIM5_CH4
D4	-	-
D3	PF_4	TIM5_CH2
D1	PG_13	-
D1	PG_14	USART6_TX
D0	PG_9	USART6_RX

